

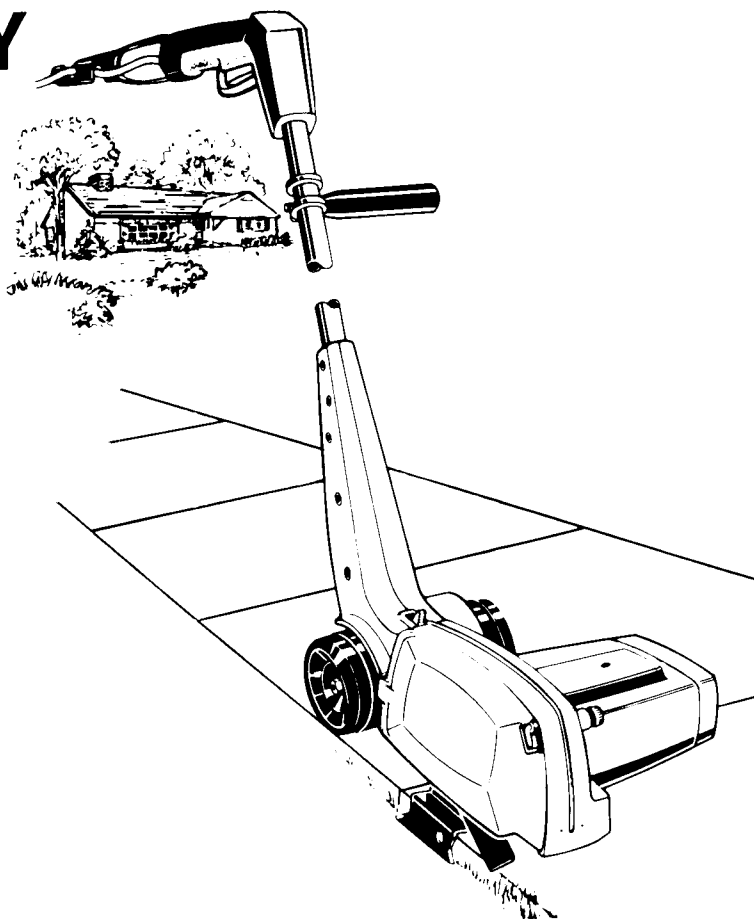


BLACK & DECKER®

HEAVY DUTY LAWN EDGER

Instruction Manual

Model LE400



CONTENTS OF CARTON

This carton contains the following:

- 1 Heavy Duty edger
- 1 Cord retainer
- 1 Instruction Manual
- 1 Owner's Registration Card

Purpose of Product

Thank you for buying a Black & Decker Heavy Duty Lawn Edger. Neat, clean edges along your walks, driveway and curb will add appreciably to the appearance of your lawn. This edging can be rapidly completed with minimum effort. It is a sturdy, powerful tool, designed to do the job on the first pass.

Important

To assure product SAFETY and RELIABILITY, repairs, maintenance and adjustment (including brush inspection and replacement) should be performed by BLACK & DECKER Service Centers or other qualified service organizations, always using Black & Decker replacement parts. When servicing use ONLY IDENTICAL REPLACEMENT PARTS.

Purpose of Manual

Read contents of this manual carefully. Become thoroughly familiar with the controls and proper use of the lawn edger. It is important to read the Safety Instructions found on page 2.

Home Use Warranty

(A Full Two Year Warranty)

Black & Decker (U.S.) Inc. warrants this product for two years against any defects that are due to faulty material or workmanship. Please return the complete unit, transportation prepaid, to the seller (if a participating retailer) for free replacement (proof of purchase may be required). The unit may also be returned to Black & Decker Service Center or Authorized Service Station, listed under "Tools Electric" in the yellow pages for free replacement or repair at our option.

This warranty does not apply to accessories. This warranty gives you specific legal rights and you may have other rights which vary from state to state. Should you have any questions, contact your nearest Black & Decker Service Center Manager.

This Product is Listed by
UNDERWRITERS' LABORATORIES, INC.
and Bears the Mark



Important Safety Instructions

WARNING

1. **SAFETY SPECTACLES OR GOGGLES**—Wear at all times when using your edger.
2. **GUARD**—Do not use edger without guard attached.
3. **BLADE**—Keep face, hands and feet away from cutting area at all times. Wear long pants to protect your legs.
4. **KEEP ALL BY-STANDERS AWAY**—at a safe distance from work area, especially children.
5. **AVOID ACCIDENTAL STARTING**—don't carry plugged-in tool with finger on trigger. Keep finger off trigger when plugging the unit in.
6. **DO NOT FORCE THE TOOL**—at a rate faster than the rate at which it is able to edge effectively.
7. **DON'T OVERREACH**—Keep proper footing and balance at all times.
8. **WARNING**—To prevent electric shock hazard, use only with an extension cord suitable for outdoor use. Always connect extension cords to a fused line or one protected by a circuit breaker.
9. **DON'T ABUSE CORD**—Don't yank cord from receptacle. Keep cord from heat, oil and sharp edges.
10. **EXTENSION CORD RETAINER**—to prevent disconnection of extension cord during operation, use extension cord retainer as described in this manual. (Figure 4).
11. **DAMAGE TO CORD**—Keep power cord away from moving blade. If you damage the extension cord, unplug it at the electrical outlet before moving the edger or examining the damage. If there is damage to the extension cord, replace cord before further use.
12. **DAMAGE TO UNIT**—If you strike or become entangled in a foreign object, stop edger immediately, unplug, check for damage and have any damage repaired before further operation is attempted. DO NOT operate with a broken blade or guard.

13. **DISCONNECT TOOL**—When not in use, prior to cleaning, or when removing or replacing the blade.
14. **DRESS PROPERLY**—DO NOT operate the tool when barefoot or wearing open sandals. Always wear substantial footwear. Use of rubber gloves and substantial rubber soled footwear is recommended when working outdoors.
15. **AVOID DANGEROUS ENVIRONMENTAL CONDITIONS**—Do not use electric tools in damp or wet locations. Follow all instructions in this Instruction Manual for proper operation of your edger.
16. **DON'T USE THE EDGER IN THE RAIN.**
17. **DO NOT OPERATE**—portable electric tools in gaseous or explosive atmospheres. Motors in these tools normally spark, and the sparks might ignite fumes.
18. **USE THE RIGHT TOOL**—Do not use edger for any job except that for which it is intended.
19. **STORE IDLE TOOLS INDOORS**—When not in use, tools should be stored indoors in dry, locked-up place—out of reach of children.
20. **MAINTAIN APPLIANCE WITH CARE**—Follow all cleaning and lubricating instructions.

IMPORTANT WARNING

When using the Edger, stones, pieces of metal and other objects can be thrown out at high speed by the blade. The tool and guard are designed to reduce the danger. However, the following special precautions should be taken:

1. Wear safety glasses or other eye protection.
2. Make sure that other persons and pets are at least 100 feet away. Always stand on left side of handle.
3. To reduce the risk of rebound (ricochet) injury, work going away from any nearby solid object such as a wall, steps, large stone, tree, etc. Use great care when working close to solid objects, and, where necessary, do edging or trimming by hand.

Double Insulation

Your tool is DOUBLE INSULATED to give you added safety. This means that it is constructed throughout with TWO separate "layers" of electrical insulation or one DOUBLE thickness of insulation between you and the tool's electrical system.

Tools built with this insulation system are not intended to be grounded. As a result, the extension cord used with your tool can be plugged into any conventional 120 Volt electrical outlet without concern for maintaining a ground connection. NOTE: DOUBLE INSULATION does not take the place of normal safety precautions when operating this tool. The insulation system is for added protection against injury resulting from a possible electrical insulation failure within the tool. CAUTION: When servicing Double Insulated Tools, USE ONLY IDENTICAL REPLACEMENT PARTS. Replace or repair damaged cords.

Assembling The Handle

Assemble TUBULAR HANDLE first

1. Remove two 1-5/16" long screws, lockwashers and hex nuts from upper tube mounting holes.
2. Slide side handle up tube toward handle.

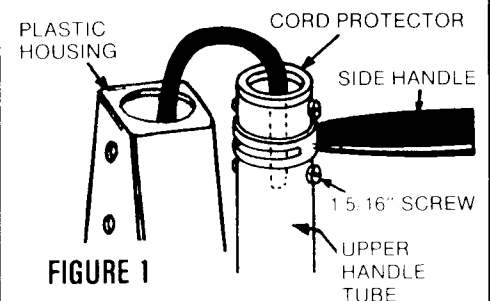
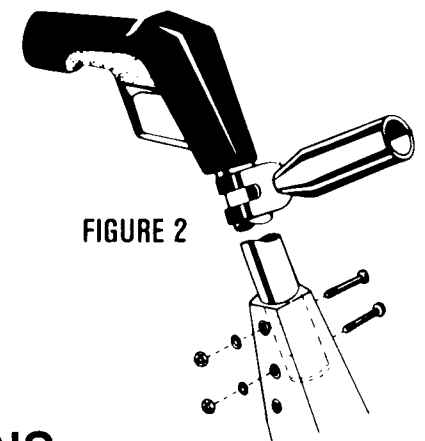


FIGURE 1



SAVE THESE INSTRUCTIONS

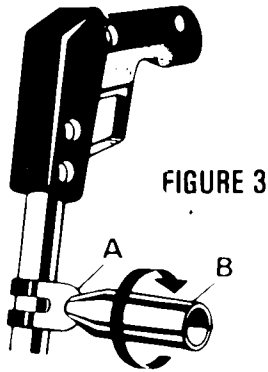


FIGURE 3

3. Be sure cord protector (Figure 1) is in bottom of metal handle tube.
4. Slide metal tube down into plastic housing so that holes will line up (Figure 2).
5. Fasten handle and housing together with two 1-5/16" long screws, lockwashers and hex nuts. Note that the hex nuts go on the side of the housing with the two hexagon shaped recesses, which keep the nuts from turning when you tighten the screws. Also note that when you first insert the screws it may be necessary to wiggle them carefully to get them past the jacketed wires inside the tube. **CAUTION: NEVER use a sharp object to move jacketed wires out of the way.**

Position **SIDE HANDLE** next — see Figure 3.

1. Slide the bracket "A" down the upper tube to a handle position which is comfortable for you. When nut is finger tight, twist the handle in direction of arrow, "B", to fully tighten the bolt (head of bolt fits into a hexagonal-shaped recess inside handle to keep bolt from turning.)

Extension Cords

Double insulated tools have 2-wire cords and can be used with 2-wire or 3-wire extensions. Only round jacketed extension cords should be used, and we recommended that they be listed by Underwriter's Laboratories (U.L.) (C.S.A. in Canada). If the extension will be used outside, the cord must be suitable for outdoor work. The letters "WA" on the cord jacket indicate that the cord is suitable for outdoor use.

An extension must have adequate wire size (AWG or American Wire Gauge) for safety, and to prevent loss of power and overheating. The smaller the gauge number of the

wire, the greater the capacity of the cable, that is 16 gauge has more capacity than 18 gauge. When using more than one extension to make up the total length, be sure each extension contains at least the minimum wire size.

To determine the minimum wire size required, refer to the chart below.

MINIMUM GAUGE FOR CORD SETS

120 Volts		Total Length of Cord in Feet			
		25 ft.	50 ft.	100 ft.	150 ft.
More Than	Not More Than	A.W.G.			
0	6	18	16	16	14
6	10	18	16	14	12
10	12	16	16	14	12
		16	14	12	*Not Recommended

Before using an extension cord, inspect it for loose or exposed wires, damaged insulation, and defective fittings. Make any needed repairs or replace the cord if necessary. Black & Decker has extension cords available that are U.L. (C.S.A. in Canada) listed for outdoor use.

Extension Cord Retainer

1. Look into the end of the Switch Handle and you will see 2 slots. The **WIDER** end of the Retainer goes into the **TOP** slot. (Figure 4).
2. Plug extension cord into Switch Handle and fit cord into Retainer, leaving a little slack (Figure 5).

NOTE: The retainer may be removed from the tool for replacement if damaged, or if improperly assembled. Two "disengage slots" are located in the top and bottom of the handle. (Figure 4). To disengage the retainer, pull on each end of the retainer in turn while pushing a screwdriver gently into the appropriate slot.

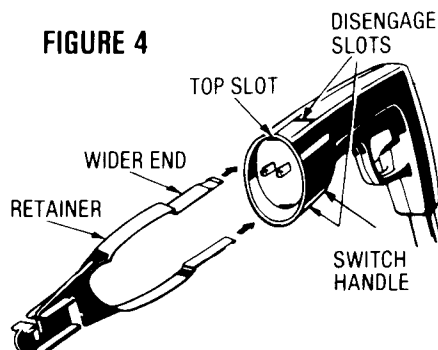


FIGURE 4

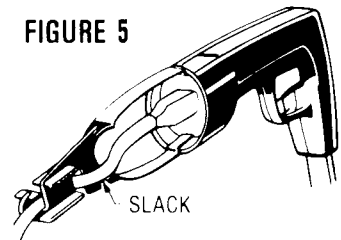


FIGURE 5

Blade Guard

The guard swings open for cleaning inside of housing or changing blades. **ALWAYS UNPLUG TOOL BEFORE OPENING GUARD!** TO OPEN GUARD, push down on knob "F" (Figure 6) and turn it clockwise (facing top of knob) until it stops (a turn of about 90°). The guard may now be opened as in Figure 6. **WHEN CLOSING GUARD,** be sure that arm "G" (Figure 6) fits into slot "H". Push in knob "F" and turn it counterclockwise about 90° to hold guard closed. **BE SURE GUARD IS PROPERLY CLOSED BEFORE OPERATING EDGER.**

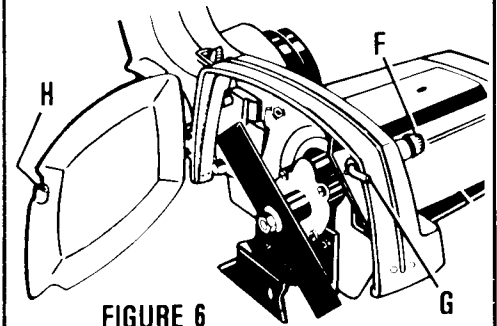


FIGURE 6

BLADE

Be sure tool is unplugged!

The Blade, two Spacers and Hex Nut with conical washer should be attached to your Edger in the order shown below. Please check that the blade has been properly mounted before using your Edger.

TO REMOVE THE BLADE FOR REPLACEMENT:

1. Open blade guard.
2. Loosen the hex nut with conical washer. Use two wrenches to keep the shaft from turning, as shown in Figure 7.

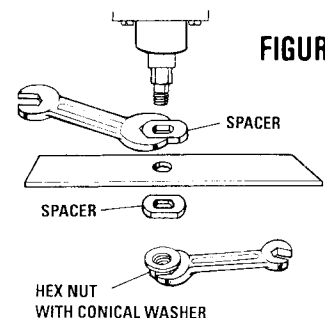


FIGURE 7

TO ATTACH NEW BLADE:

1. Place Spacer on shaft—“flats” in spacer hole must engage “flats” on shaft
2. Holding the spacer in place, put the blade on the shaft, as shown in Figure 7.
3. Hold the blade against the spacer and install the bottom spacer, again aligning the flats in the spacer with the flats on the shaft.
4. Install the hex nut with conical washer with the washer toward the spacer and blade, tighten the hex nut securely (120 in. pounds) using two wrenches to keep the shaft from turning. **ALTERNATE METHOD:** Hand tighten the hex nut and use wrenches to tighten about 1/2 turn.
5. Close the blade guard.

Switch

TO TURN TOOL “ON”, squeeze the trigger switch “K”. The trigger has been designed so that it is very easy to hold in the “ON” position. TO TURN TOOL “OFF”, release the trigger.

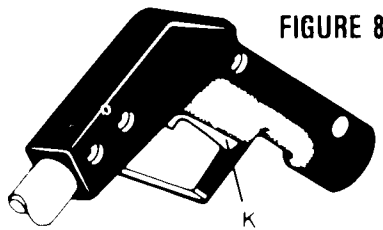


FIGURE 8

Operation

NOTE: Your edger is a major appliance and should not be operated simultaneously with other major appliances on the same household circuit.

With the cutting head in the position shown in Figure 9, place tool so the edge guide rests against the edge of the paved surface. Both wheels must be on the paved surface. Turn switch “ON” and allow blade to spin without moving tool. This allows the blade to get a good start. Then move tool slowly along edge of paved surface, keeping the edging guide pressing lightly against the pavement edge. For the first edging each season, it is best to move forward slowly because grass is thickest then. Subsequent edgings will be completed more rapidly. If the tool slows down, back it an inch or two until the blade comes up to normal speed. Do not attempt to edge when the grass or soil is wet or moist—for electrical safety and to prevent clogging of the blade chamber. If you must edge under soil conditions which cause the blade chamber to become clogged, UNPLUG

THE TOOL, open the blade guard and remove clogged material WITH A STICK. To continue to operate the tool in a clogged condition will seriously overload the motor. **CAUTION**—Do not attempt to unclog the blade chamber by dropping or tapping the tool on the ground. This can damage the wheels. Keep hands clear of edge guide when cleaning as this part abrades to a very sharp point during edging. The Cutting Head of the Edger can be adjusted so that the tool will also perform TRENCHING operations. **CAUTION:** Be sure head is in a locked position before operating tool.

TO CHANGE POSITION OF THE CUTTING HEAD:

1. **UNPLUG TOOL!**
2. Push button “L”, Figure 10, in direction of arrow, holding it back momentarily as you start to rotate the cutting head. Release the button, continue rotating, and the cutting head will snap into a locked, 45° position for TRENCHING. In this position (Figure 11), the tool will cut a “V”-shaped trench along the edges of flower and shrubbery beds, and around trees in preparation for sod removal. Be careful not to tip the front of the tool too far downward or it will dig too deep and stall the tool.

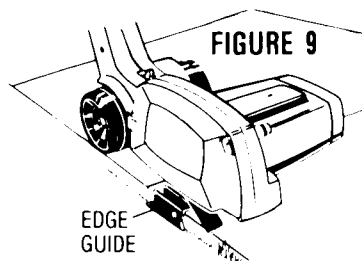


FIGURE 9

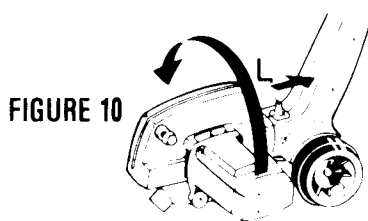


FIGURE 10

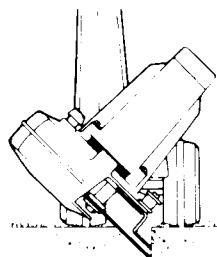


FIGURE 11

Preventing Corrosion Storage

Fertilizers and other garden chemicals contain agents which greatly accelerate the corrosion of metals. If you use the tool in areas where fertilizers or chemicals have been used, the tool should be cleaned immediately afterwards as follows:

- (1) **BE SURE THE TOOL IS UNPLUGGED.**
- (2) Open blade guard.
- (3) Wipe all exposed parts with a damp cloth.

When cleaning, DO NOT immerse tool in water or squirt it with a hose.

Do not store the tool on or adjacent to fertilizers or chemicals. Such storage can cause rapid corrosion.

Cleaning & Lubrication

Use only mild soap and a damp cloth to clean the tool. Never let any liquid get inside the tool; never immerse any part of the tool into a liquid. Self lubricating bearings are used in the tool and periodic relubrication is not required. However, it is recommended that, once a year, you take or send the tool to a B&D Service Center for a thorough cleaning, inspection and lubrication of the gear case.

Accessories

The accessories listed in this manual are available at extra cost from your local dealer or Black & Decker Service Center. A complete listing of service centers is included with your tool.

If you need assistance in locating any accessory, please contact: Black & Decker (U.S.) Inc., Consumer Service Department, 626 Hanover Pike, P.O. Box 618, Hampstead, MD 21074-0618.

Cat. No. 82-024 Replacement Blade

Cat. No. 72-000 Safety Spectacles

CAUTION: Use only the above accessories with your Edger. The use of any other attachment or accessory might be hazardous.

NOTE: Always include date code numbers on all correspondence. This 4 or 5 digit number is stamped into the motor housing.

Every Black & Decker tool is of the highest quality. If you wish to contact us regarding this product, please call toll free between 8:00 a.m. and 8:00 p.m. ET, seven days a week.
1-800-762-6672